

4

3

2

1

D

D

C

C

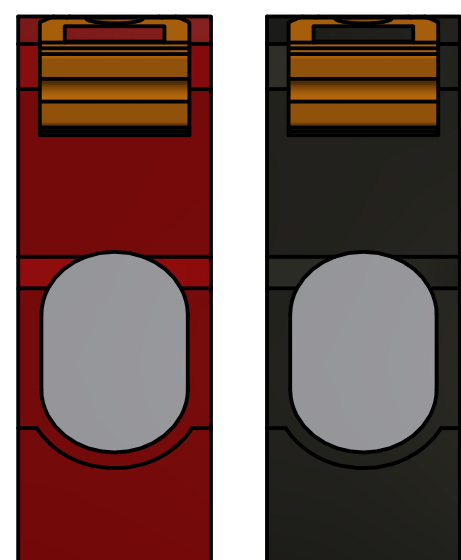
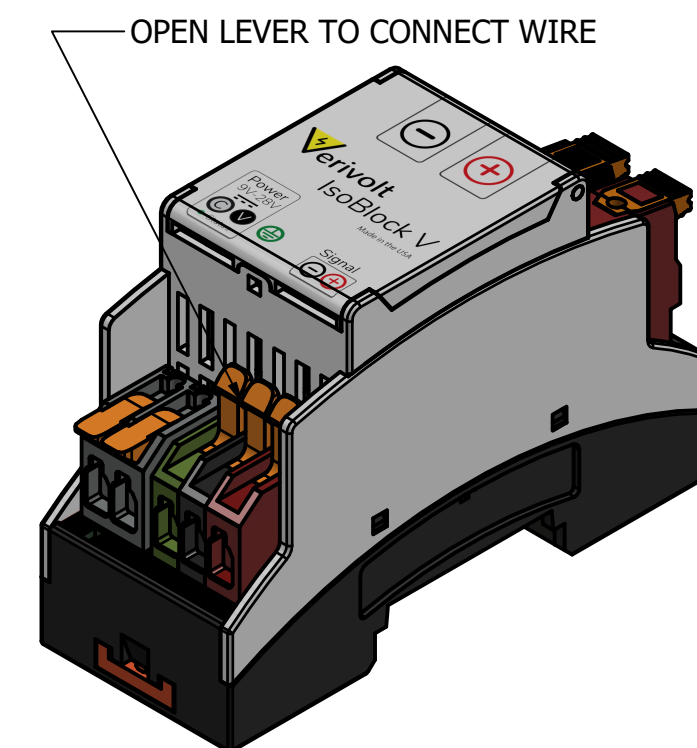
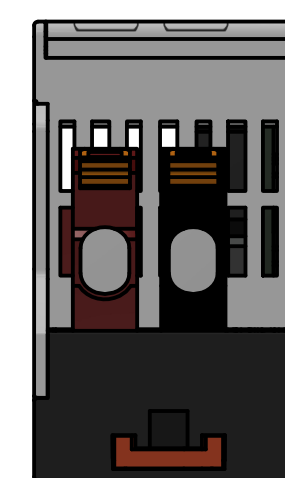
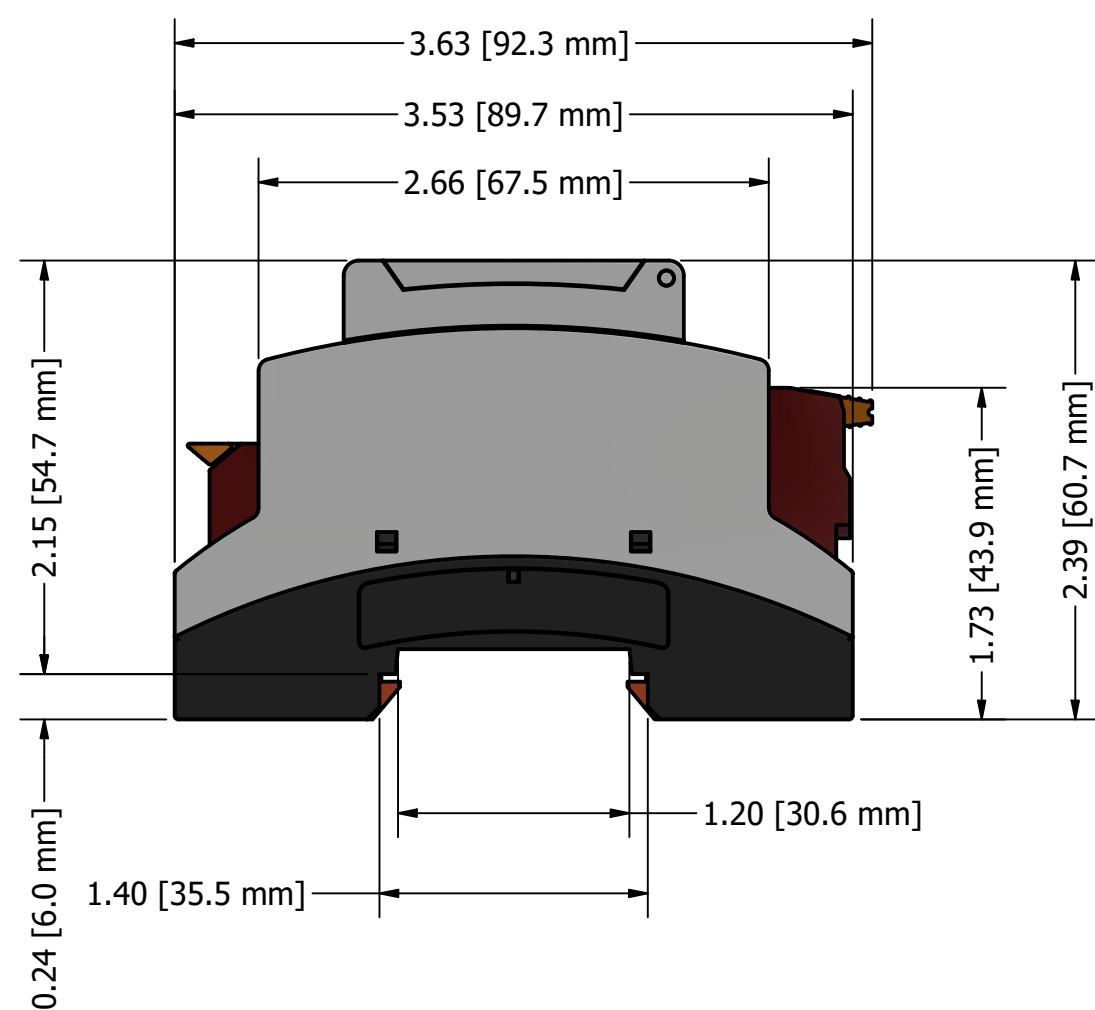
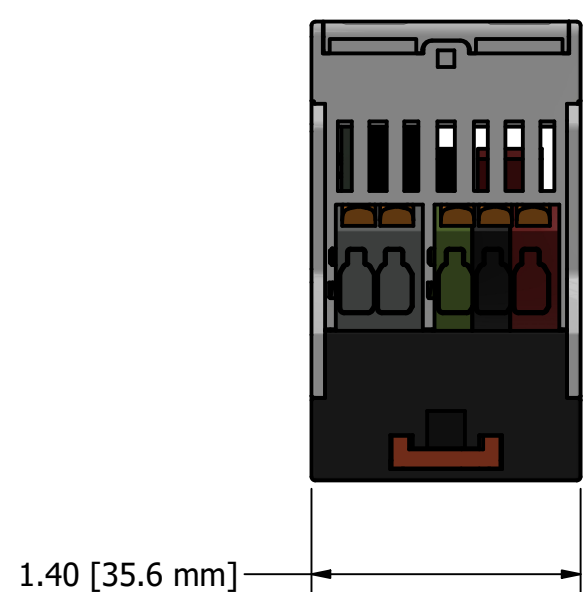
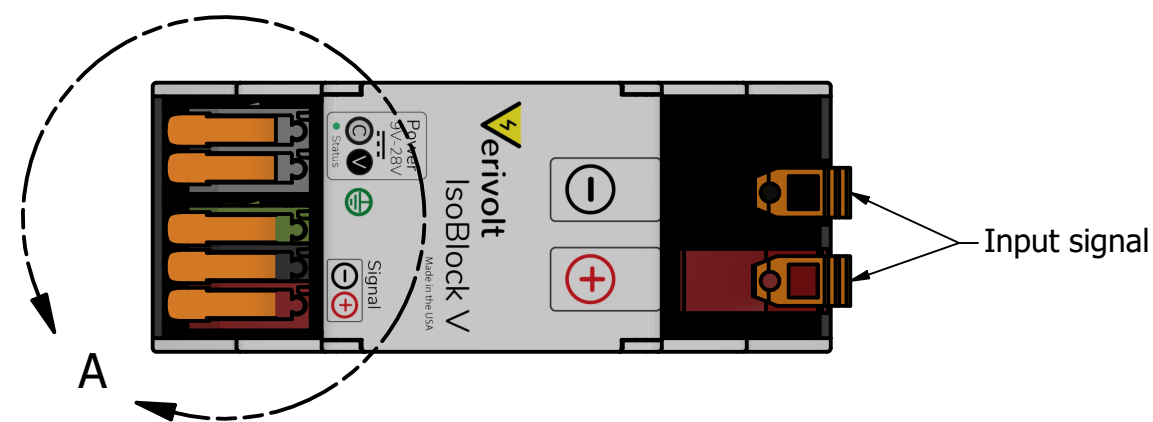
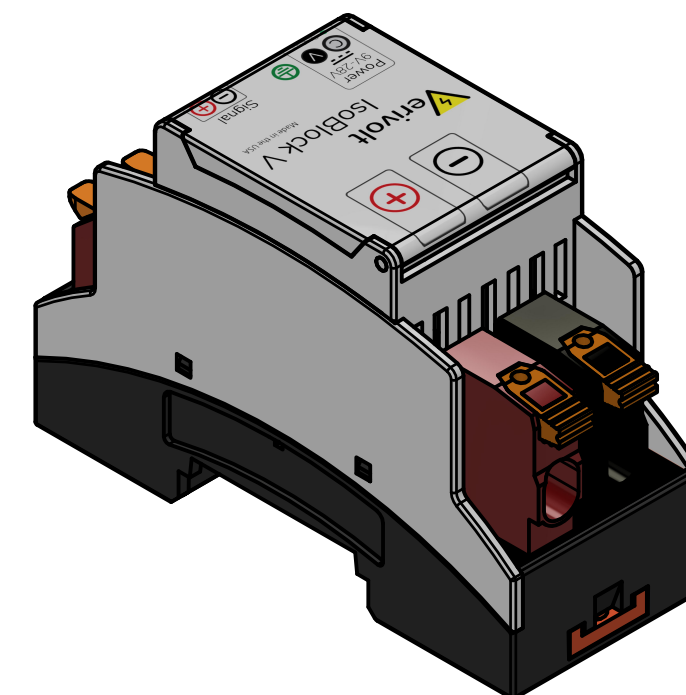
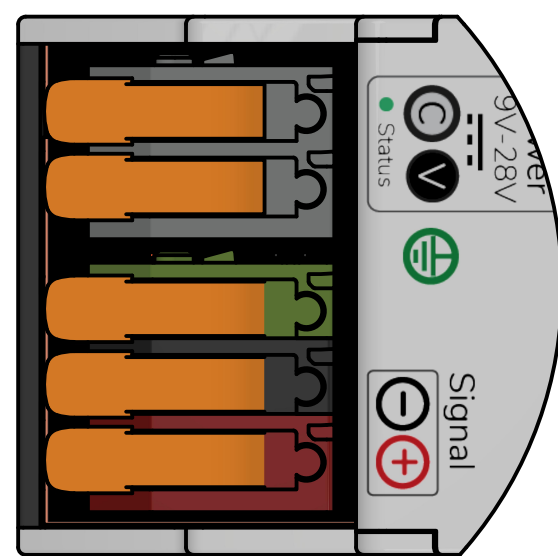
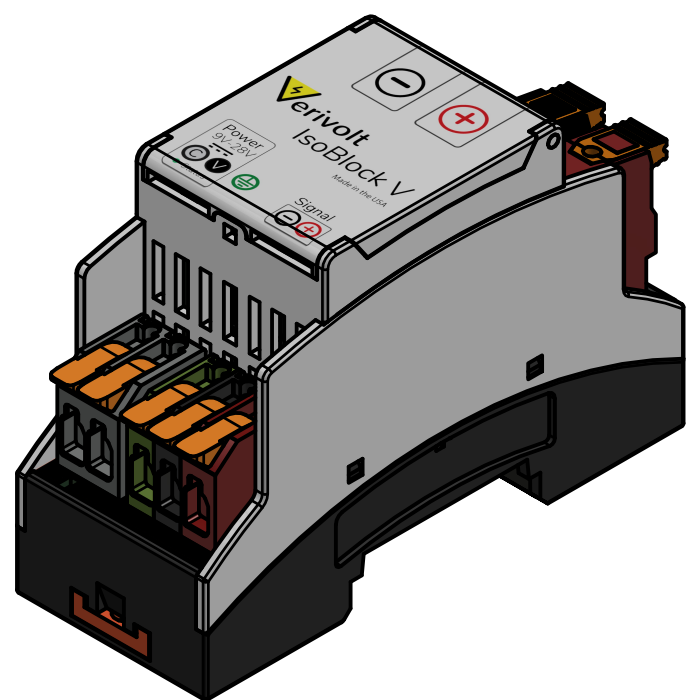
B

B

A

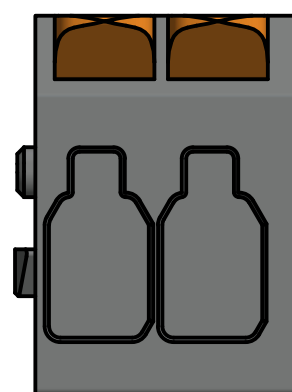
A

DETAIL A SCALE 2 : 1

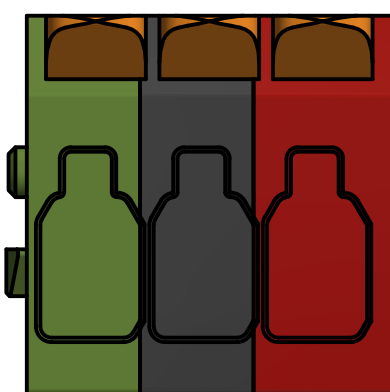



Conductor cross section AWG min.24
Conductor cross section AWG max.10
Conductor cross section min.0.2 mm²
Conductor cross section max.6 mm²
Stripping length 12 mm
Rated surge voltage (III/3) 8 kV

Conductor cross section:
28-14 AWG / 0.08-2.08 mm²
Wire stripe length: 6-7 mm



Conductor cross section:
28-14 AWG / 0.08-2.08 mm²
Wire stripe length: 6-7 mm



DRAWN J. Lizarazo	10.01.2022			
CHECKED				
QA		IsoBlock V-1c		
MFG		SIZE C	DWG NO IsoBlock V-1c	REV
APPROVED		SCALE	SHEET 1 OF 1	